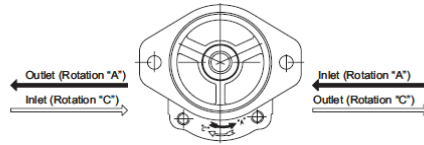


Hidraulikaszivattyúk

Gyártó : Caproni

Érvényes: 2011.11.01.-től visszavonásig



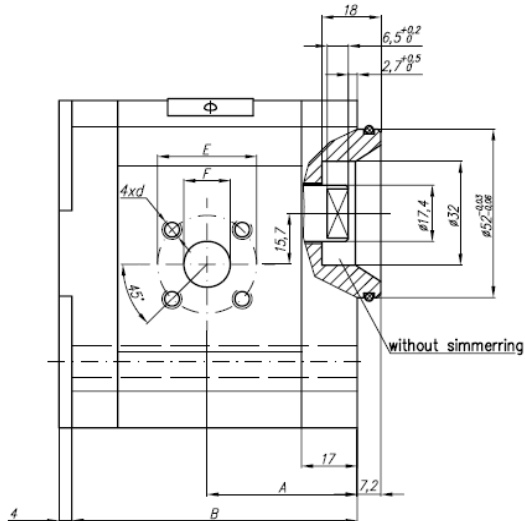
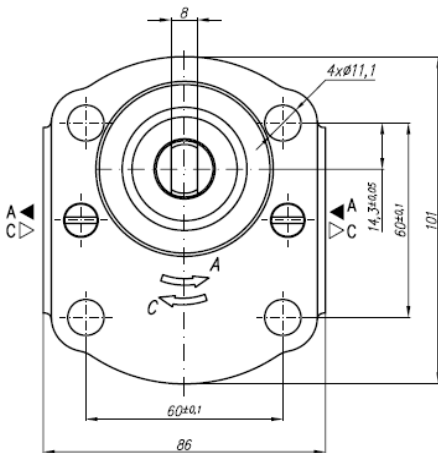
Group	Rotation	Displacement code	Drive shaft	Pump code	Ports
00 10 20 30 40	A C R		X - Through the front cover Y - Through the both covers	*** (*)	- A flange with metric threads P* - A flange with UNC threads M - Metric G - GAS U - SAE J475

Group 00	Group 10	Group 20	Group 20H	Group 30	Group 40
Code cm ³	Code cm ³	Code cm ³	Code cm ³	Code cm ³	Code cm ³
0,25 0,25	1 1	4,5 4,5	15 15	20 20	36 36
0,3 0,3	1,25 1,25	6,3 6,3	16 16	22,5 22,5	42 42
0,5 0,5	1,6 1,6	7* 7	19 19	25 25	46 46
0,75 0,75	2 2	8,2 8,2	22 22	28 28	50 50
1 1	2,5 2,5	10 10	25 25	32 32	55 55
1,25 1,25	2,65* 2,65	11 11,3	28 28	36 36	60 60
1,5 1,5	3,15 3,15	12 12	32 32	42 42	
1,75 1,75	3,65 3,65	14 14	36 36	46 46	
2 2	4,2 4,2	15 15		50 50	
	4,7* 4,7	16 16		55 55	
	5 5	17* 17,3		60 60	
	5,7 5,7	19 19			
	6,1 6,1	22 22			
	7,4 7,4	25 25			
	8* 8	28 28			
	8,5 8,5	32 32			
	9,8 9,8	36 36			

20-AS SZÉRIA



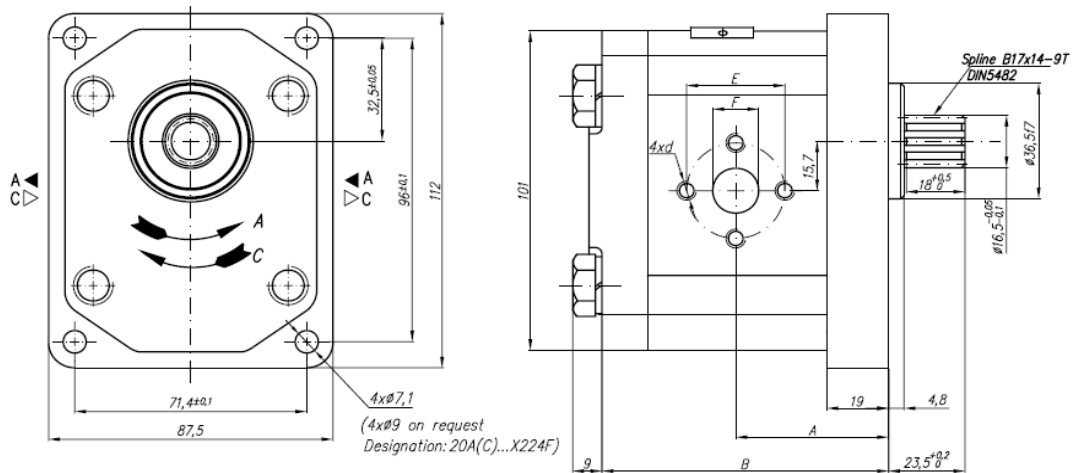
20A11X097



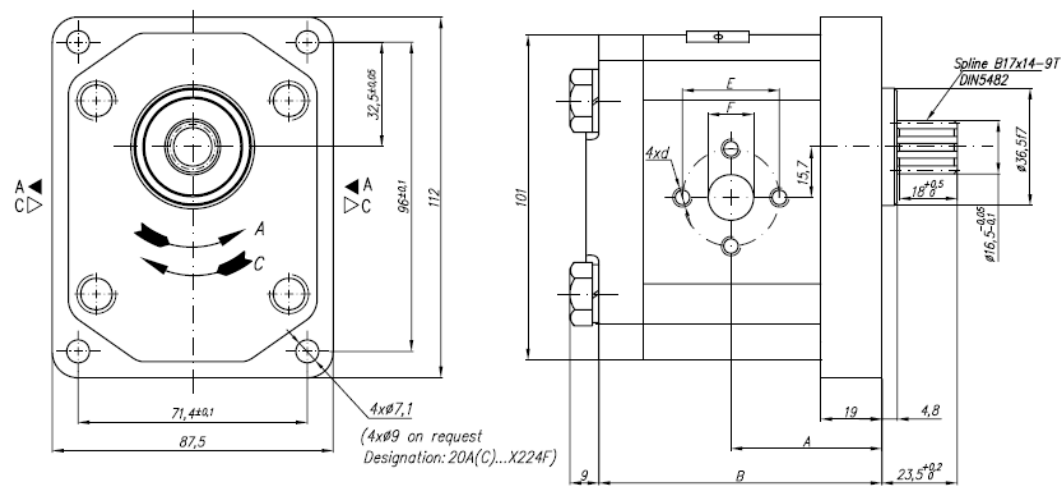
CASE :C78, 86, 88, 94
 DEUTZ: 8006, 1006, 13006
 6807,7207, 7007,7206,
 7807, DX80,92,86,
 4.10, 4.30, 4.31,4.17,
 3.7, 4.0, 3.65, 3.9, 3.6,
 AGROCOMPACT 3.30,
 3.7, 3.5, 3.9,

AGROPRIMA 4.31
 AGROXTRA 4.07, 4.17,
 4.57, 6.07,
 INTRAC 2004
 DX 4.5, 4.51, 4.70
 AGROSTAR 4.68, 4.78
 STEYR: 9083, 9086, 9094, 9078

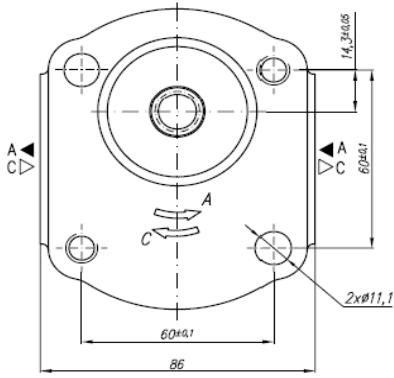
20A11X224



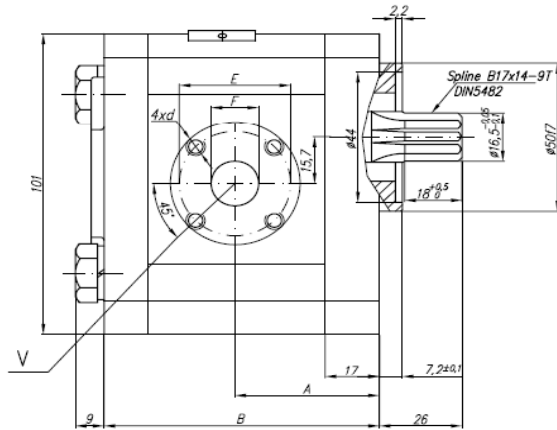
20C22X224



20A22X205



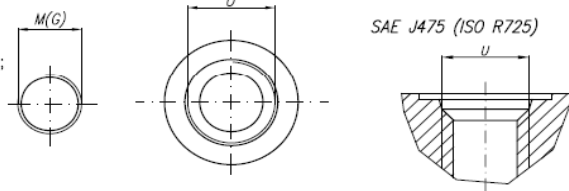
FENDT 106



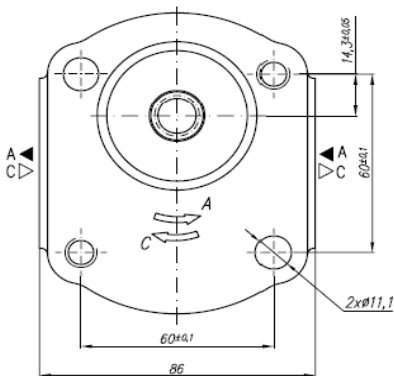
V
Variants for ports – M;G;U

Designations:

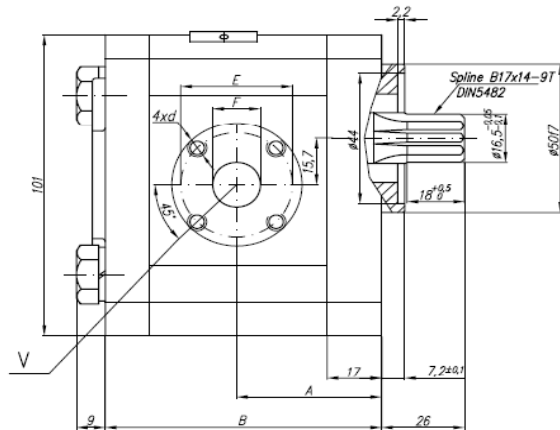
- ...X205 – Normal version (flanges);
- ...X205M – Metric threads;
- ...X205G – GAS threads;
- ...X205U – SAE threads;



20C22X205



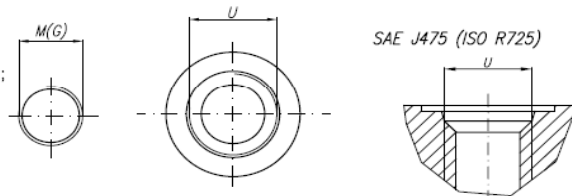
**SAME: SILVER 80, 90, 100.4, 100.6
EXPLORER 90
ANTARES 100, 110, 130,**



V
Variants for ports – M;G;U

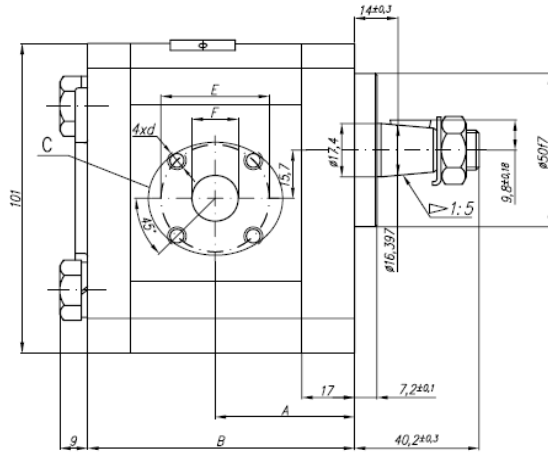
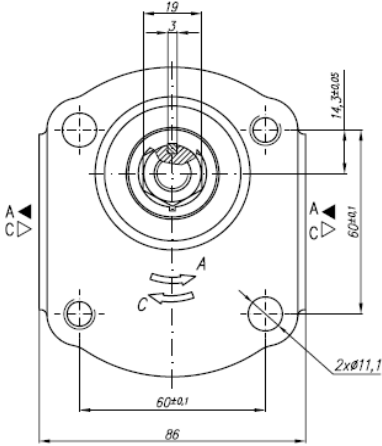
Designations:

- ...X205 – Normal version (flanges);
- ...X205M – Metric threads;
- ...X205G – GAS threads;
- ...X205U – SAE threads;



20A14X007

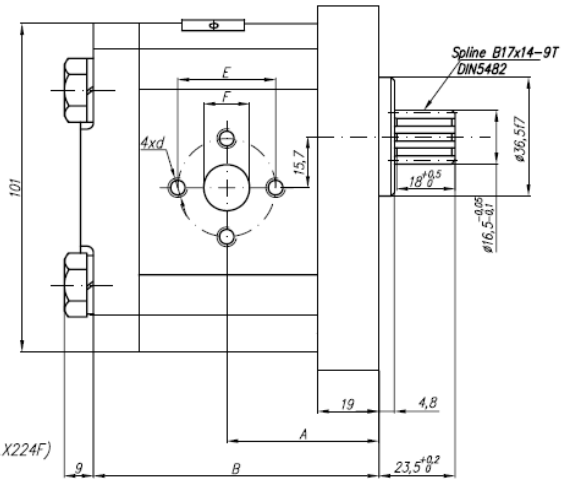
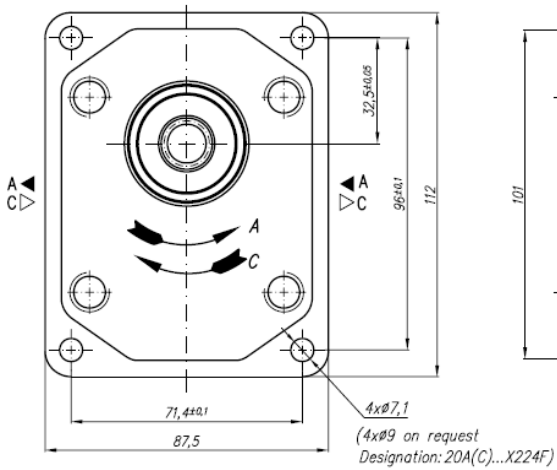
FENDT : 2005, 200V, 203V,
 DEUTZ : M 900, 1102, 1202,
 DX 3.10, 3.30, 3.50,
 3.70, 3.90, 7.10



Variants M(G):
 Designation 20A(C)...X007M(G)

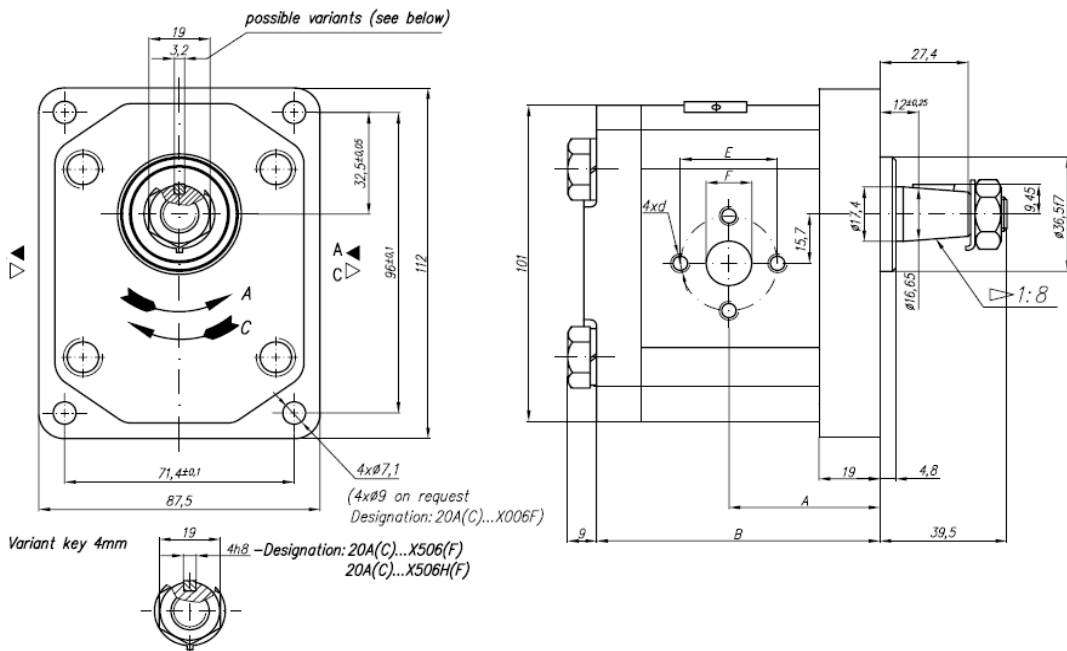
20A16X224

SAME: JAGUAR 100
 CENTURIO 70, 75, 85,
 SOLAR 60
 TRIDENT 130



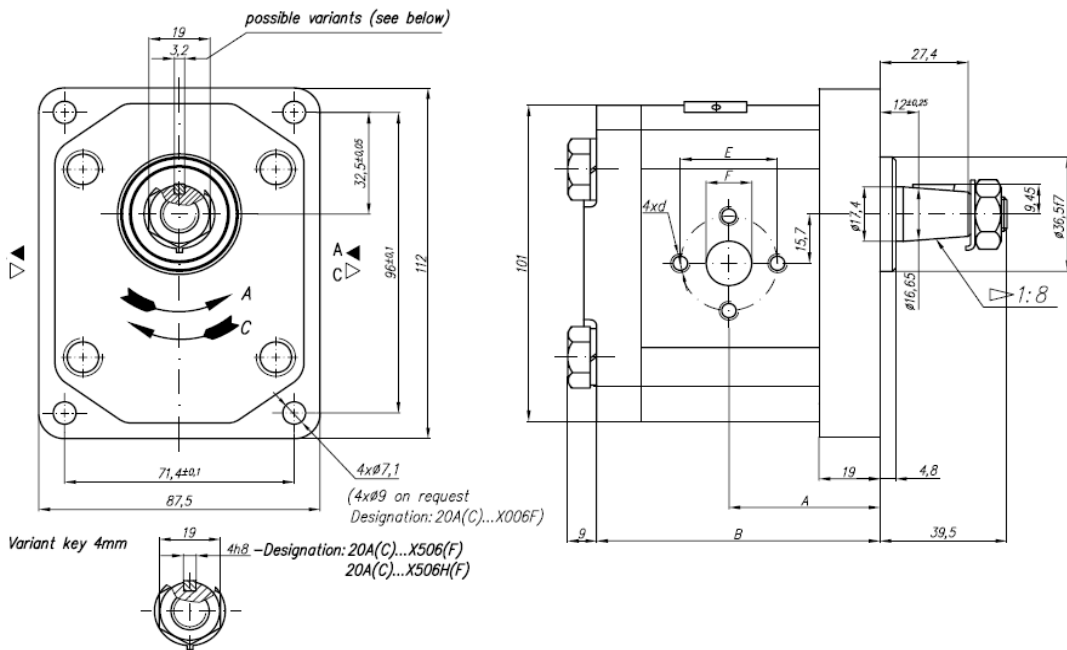
20A8,2X006

FIAT: 440/446, 500S, 540S
LAMBORGHINI: 1056



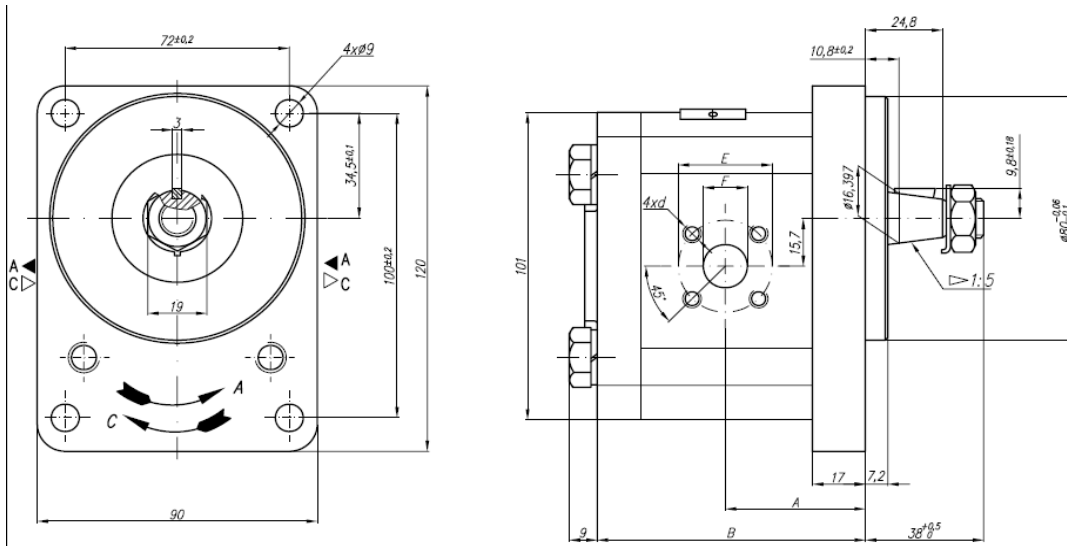
20A11X006

HÜRLIMANN: 466, 470,360,480, LANDINI: 5830, 5860, 6030, 6060,
490, 496, 6830, 6860, 7830, 7860,
A. CARRARO: 5500 8830, 8860, 5840, 5870,
6040, 6070, 8640, 6870,
4500, 7870, 5000, 8870,
6500, 9880, 6550/1000,
7500, 12500, 7550,
13000, 8500, 14000,
8850, 8060,



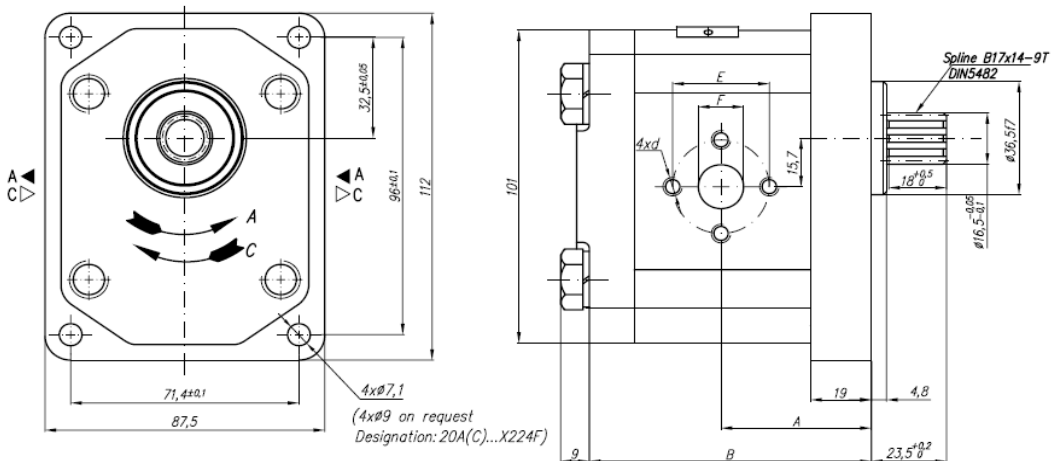
20A16X086H

STEYR: 110, 288, 450, 650, 760,
870
HÜRLIMANN: H5110
A. CARRARO: 450, 4500,
MF: 265, 255T,
EICHER: 550, 554, 565, 566,542,
3423



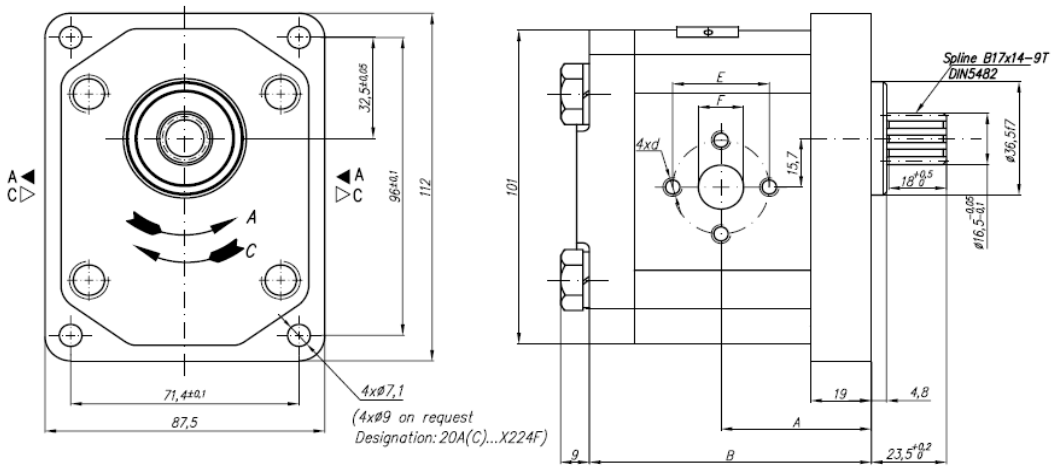
20A22X224H

SAME: TITAN 145, 160, 190,
LASER 90/100, 110, 130,
150
GALAXY 170
MERCURY 85
SATURNO 80
TAURUS 6
TIGER 105
LAMBORGHINI: 956, 1106, 1256,
1134, 1156, 1556,
HÜRLIMANN: H6160, 496, 5116,
6136, 6170,
LAMBORGHINI: 956, 1106, 1306,
1356, 1506, 1556,
1706, 6170, R105,



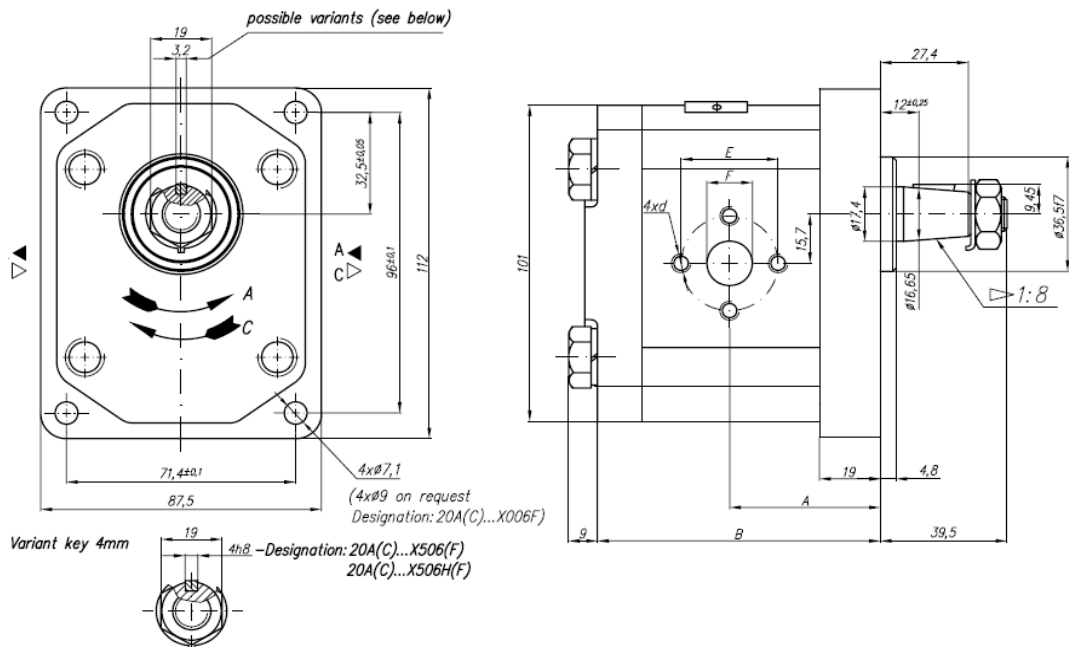
20C11X224H

LAMBORGHINI: 956, 1106, 1306,
1356, 1506, 1556,
1706, 6170, R105,



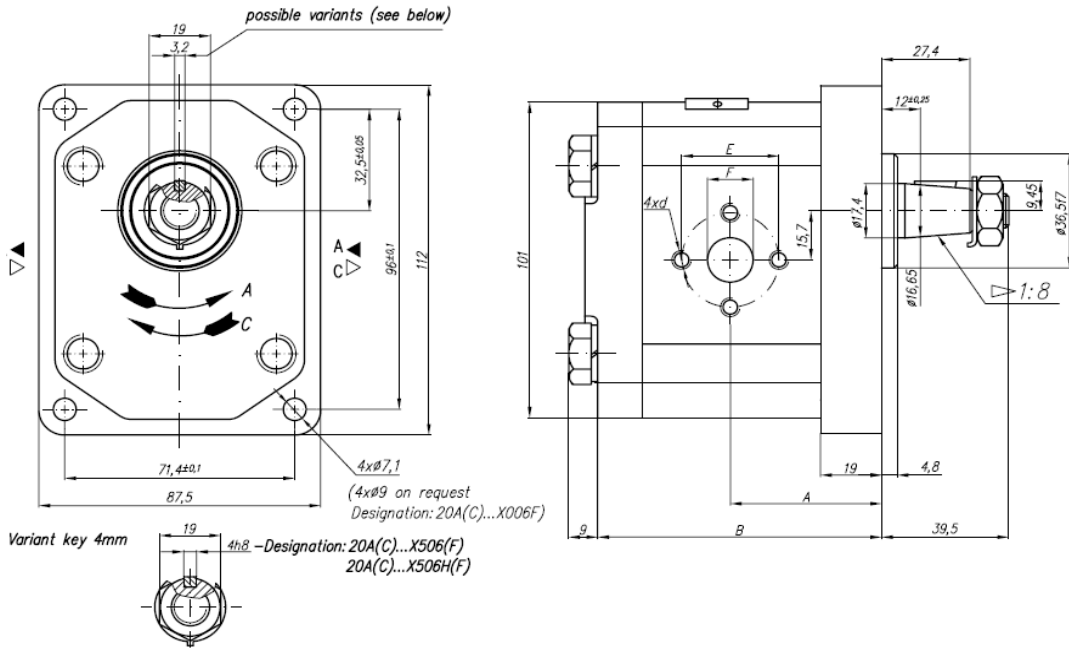
20A22X006

HÜRLIMANN: 6160,

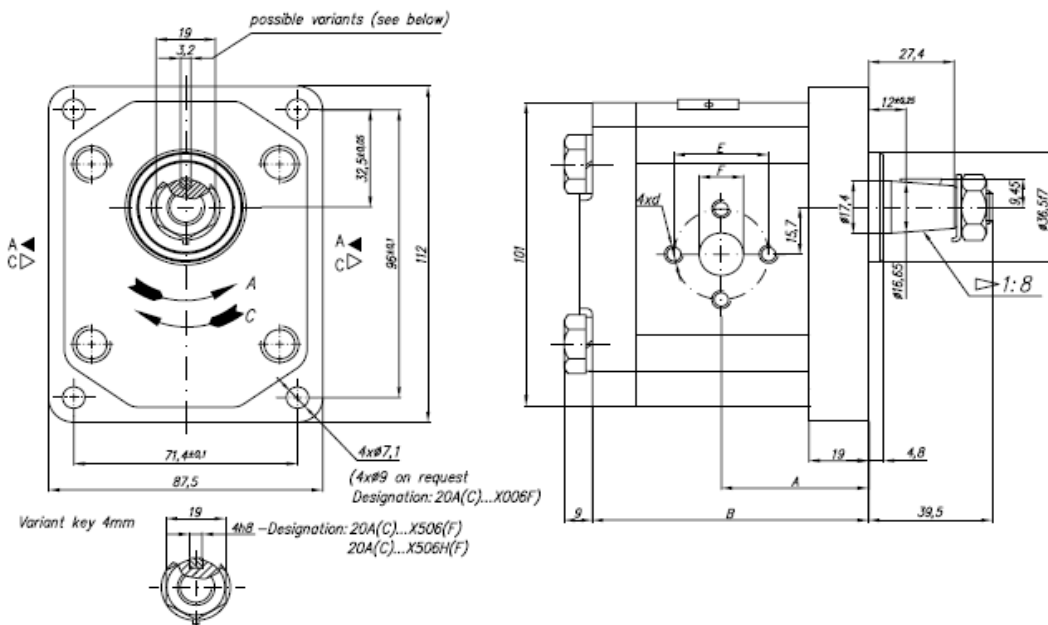


20C22X506HF

FIAT 100, 110, 115, 120, 130, 140,
L60, L75, L85, L95,
M100, M115, M135, M160,

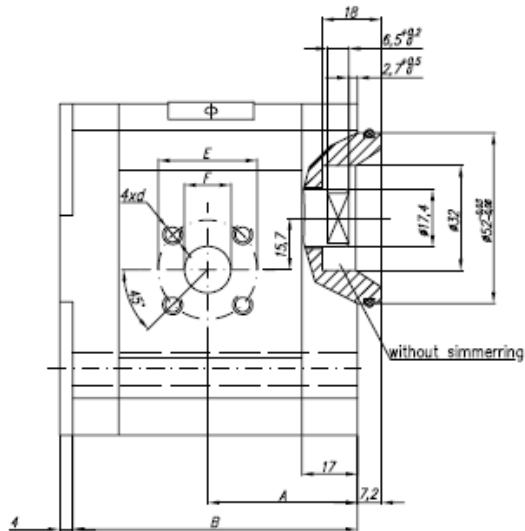
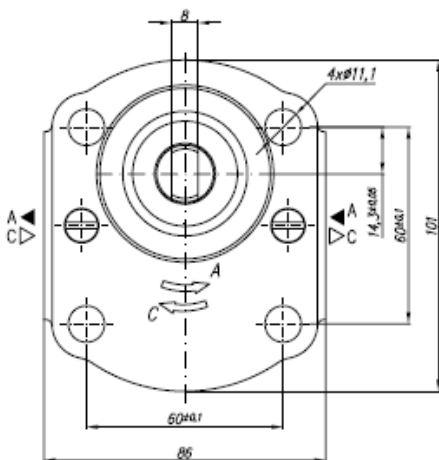
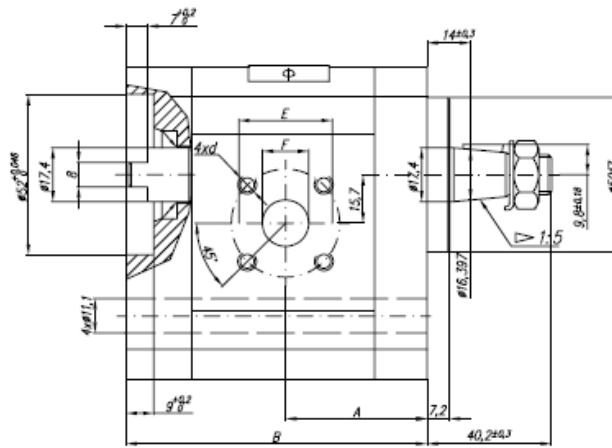
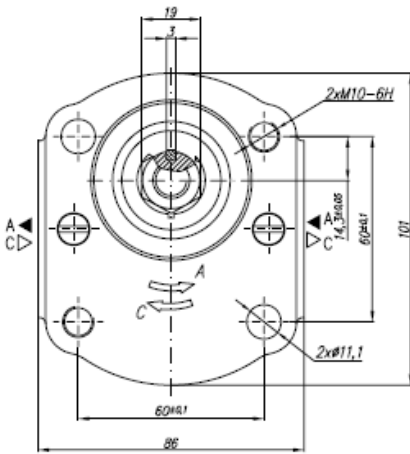


20C25X506



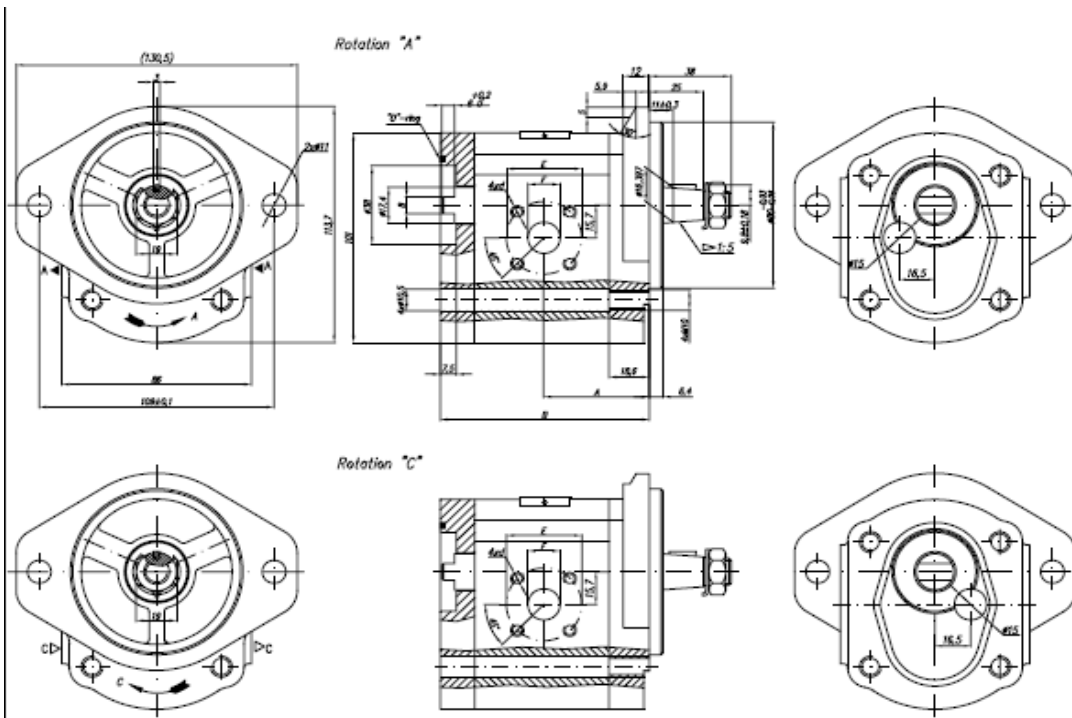
22A16X095H/A11X097

FENDT: 303, 304, 305, 306, 308, STEYR : 9083, 9086, 9094, 9078,
 309, 380, 955, 964, 970, 96
 GT380, F365, F380, JOHN DEERE: 2345
 CASE: CS 78, 86, 88, 94
 13006,6807, 7207, 7007,
 7206, 7807,
 DX 80, 92, 86, 90,
 DX 4.57, 6.07, 4.50, 4.51, 4.7
 AGROPRIMA 4.31; 4.10; 4.30; 4.31;
 4.17; 3.7;
 AGROXTRA 3.65; 3.9; 3.6;
 AGROCOMPACT

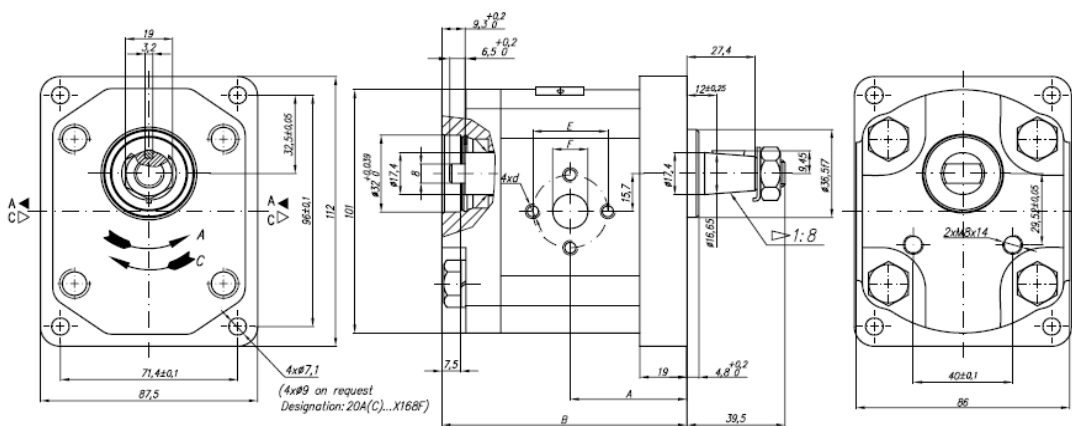


22C14X172/C8,2X173

RENAULT : 74.14, 80.14, 95.16,
 103.12, 103.14, 103.16
 110.16, 113.13, 120.16,
 133.16, 119.14, 106.14,
 7731.32,
 7811.12,21,22,32,
 7911.21, 22, 32, 42,
 110.14, 120.14,
 133.14, 145.14,



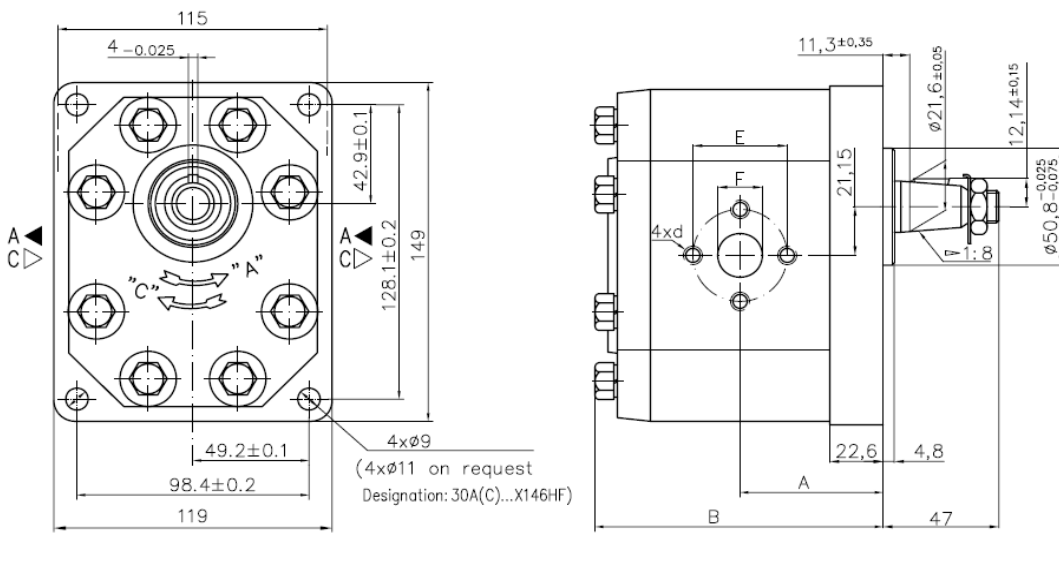
21A25X168/A6,3X179



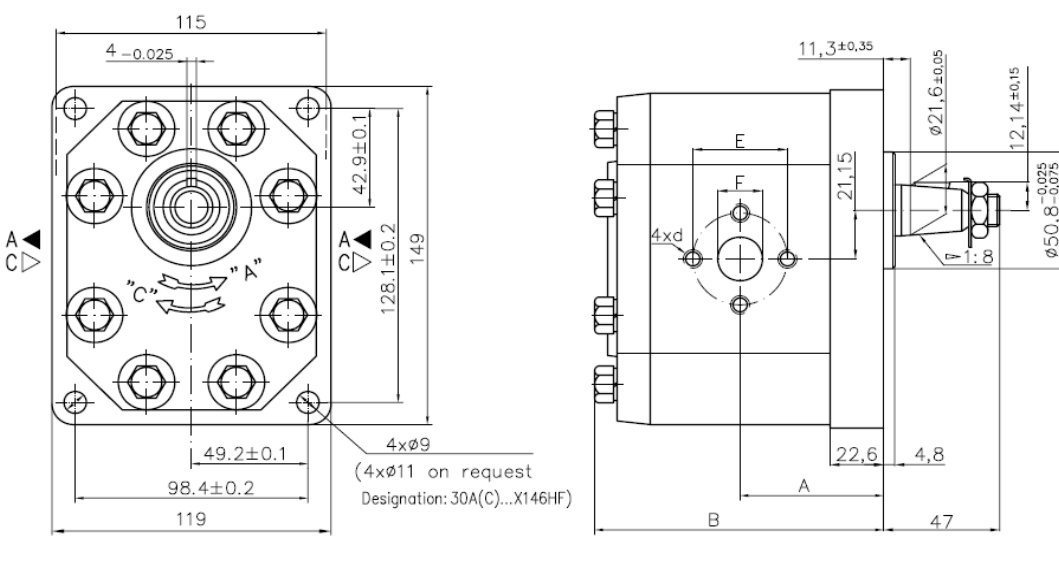
30-AS SZÉRIA



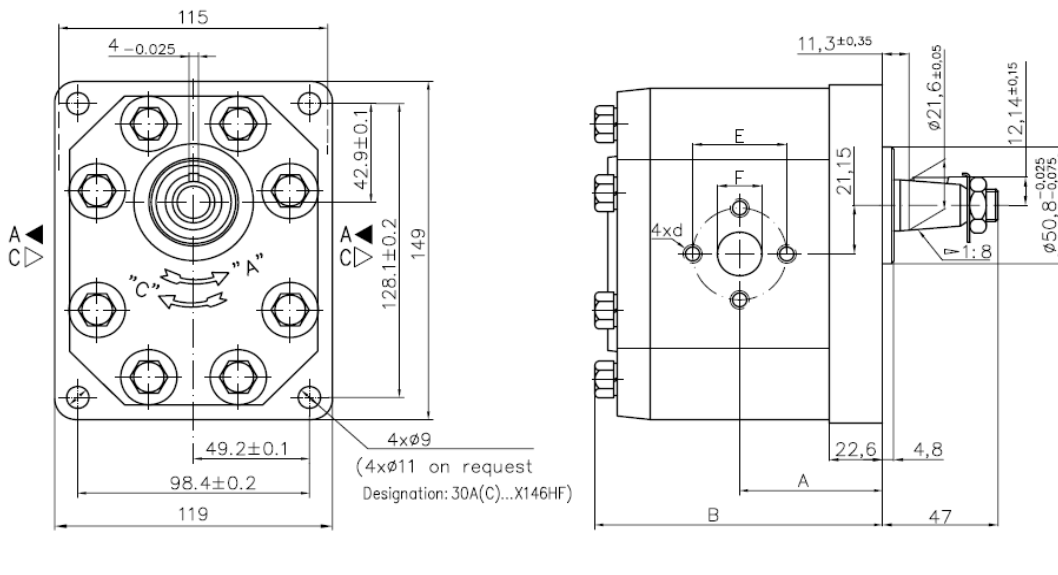
30C32X146HF



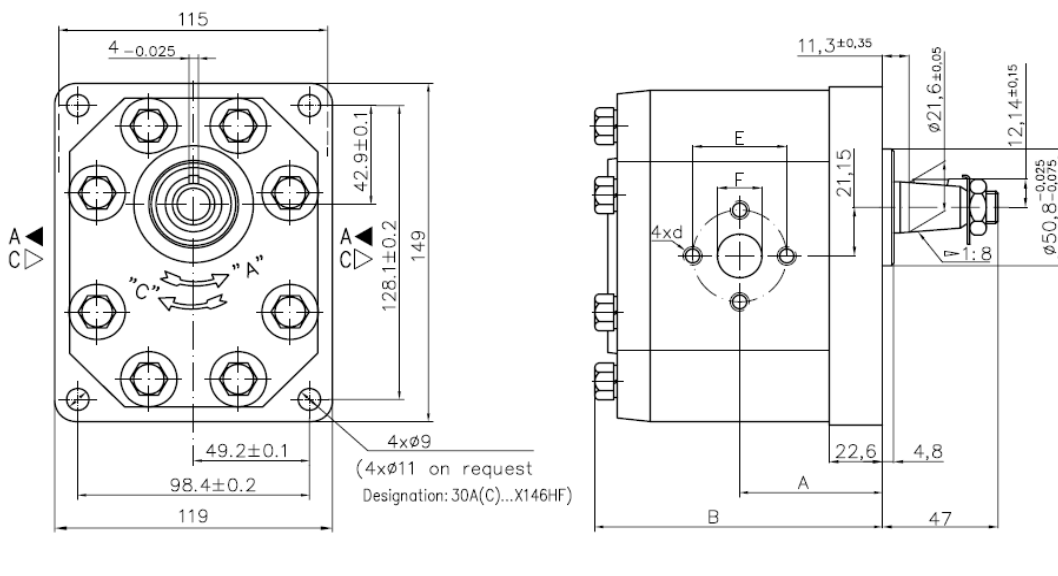
30C36X146HF



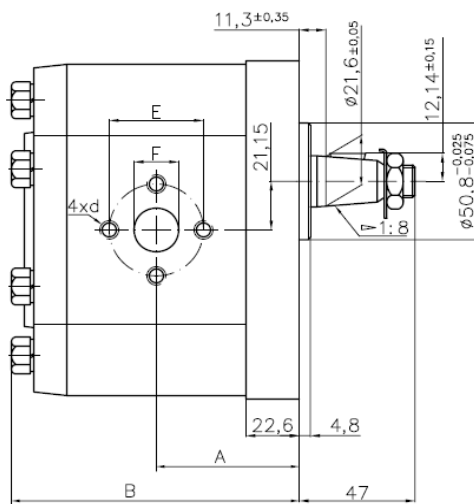
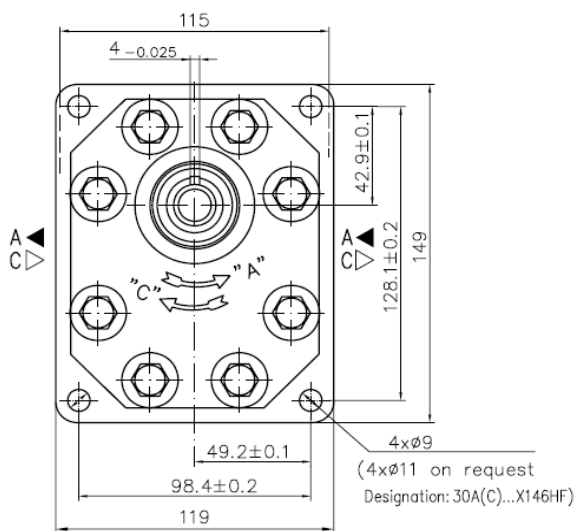
30C42X146HF



30C50X146HF

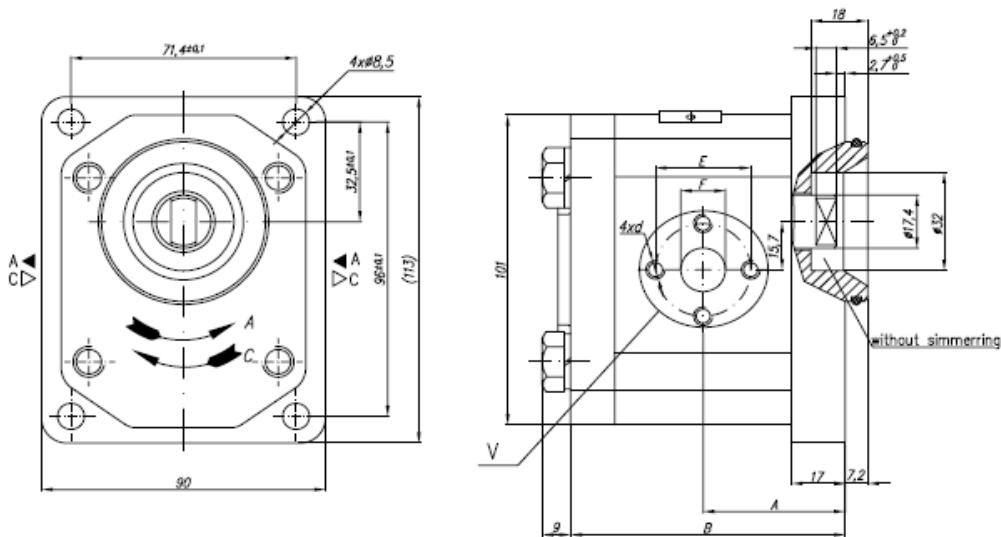
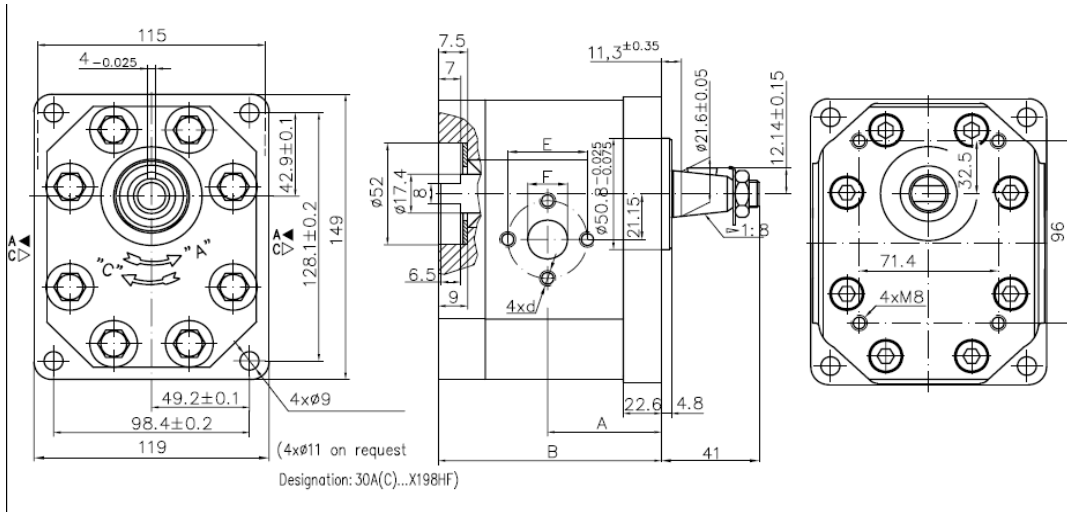


30C60X146HF



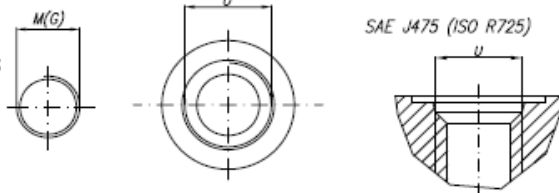
IKERSZIVATTYÚK (30/20)

32C36X198H/C22X201

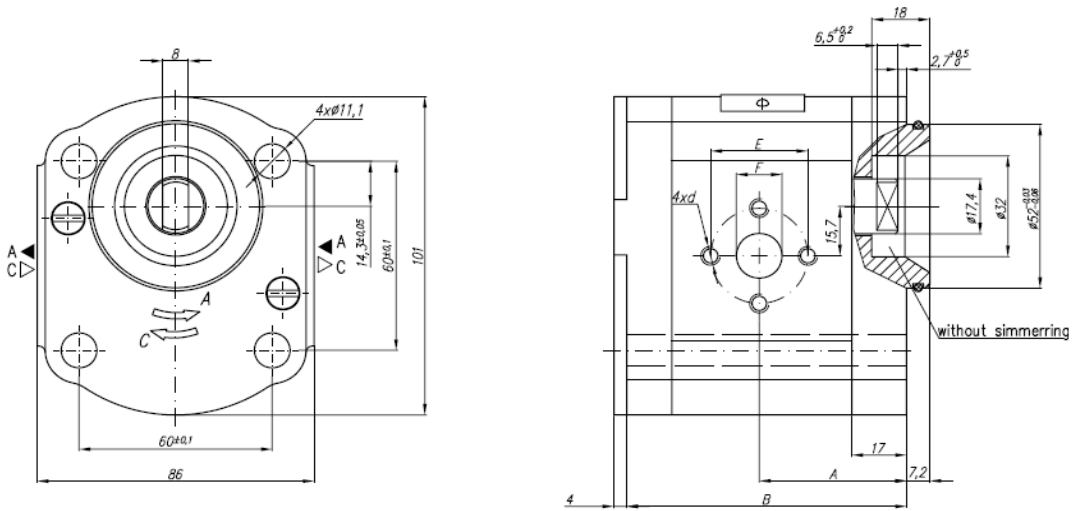
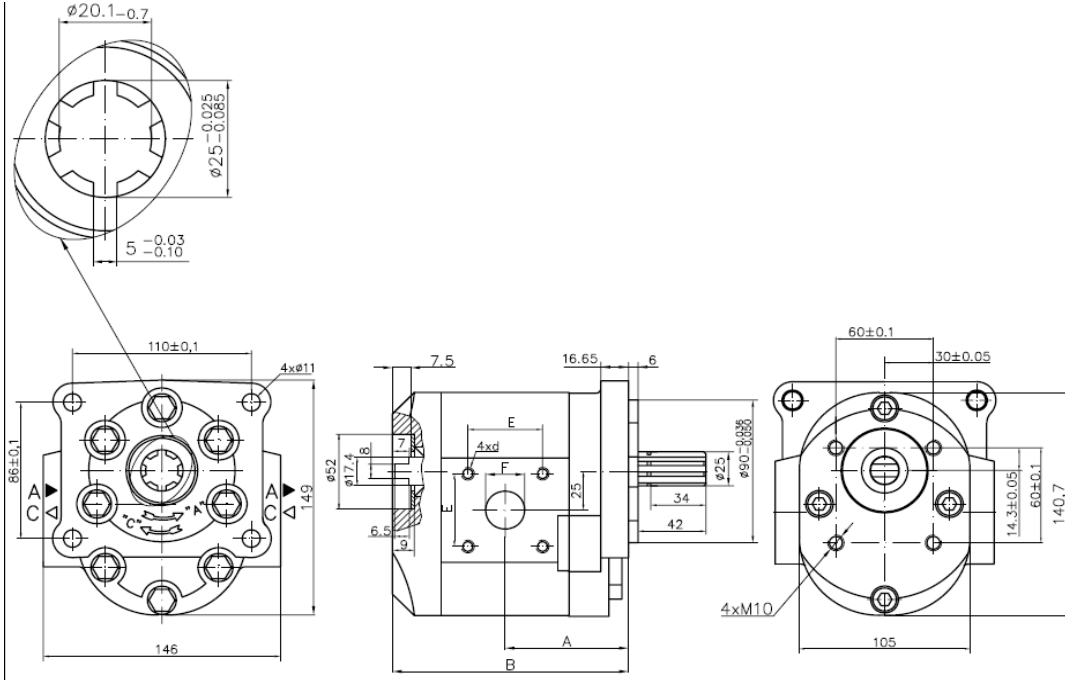


V
Variants for ports – M;G;U

Designations:
 ...X201 – Normal version (flanges);
 ...X201M – Metric threads;
 ...X201G – GAS threads;
 ...X201U – SAE threads;



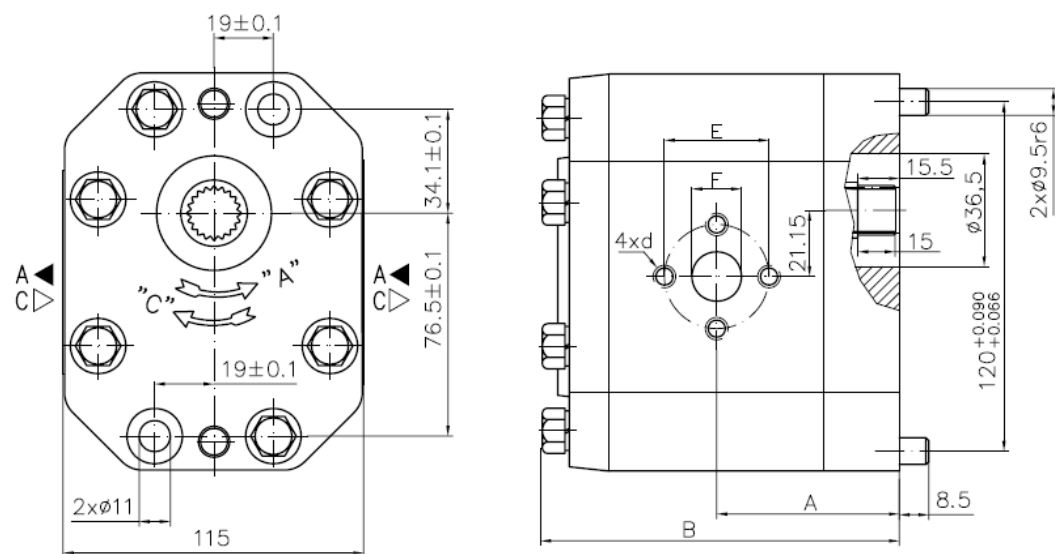
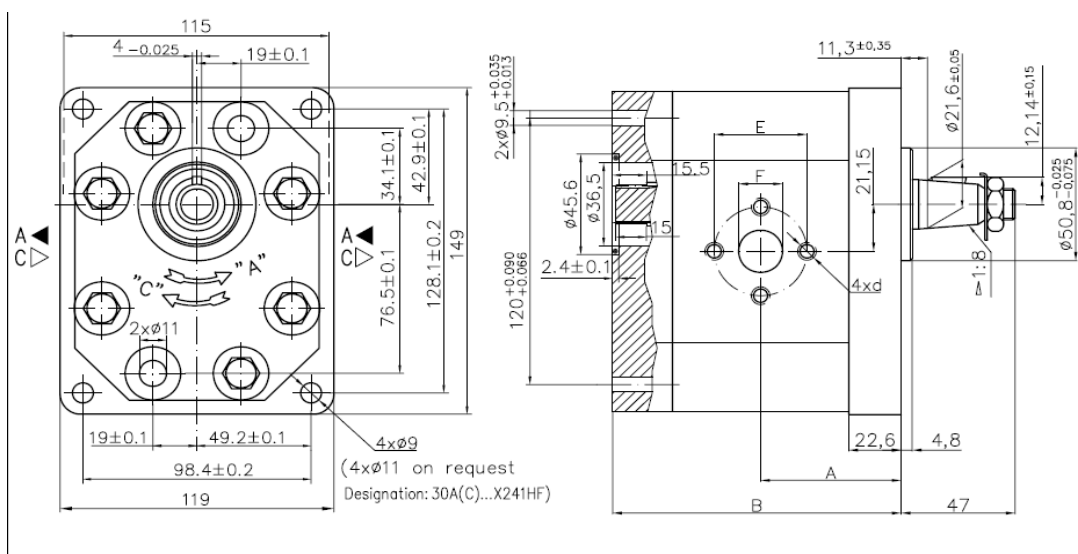
32A25X277/A6,3X066



IKERSZIVATTYÚK (30/30)



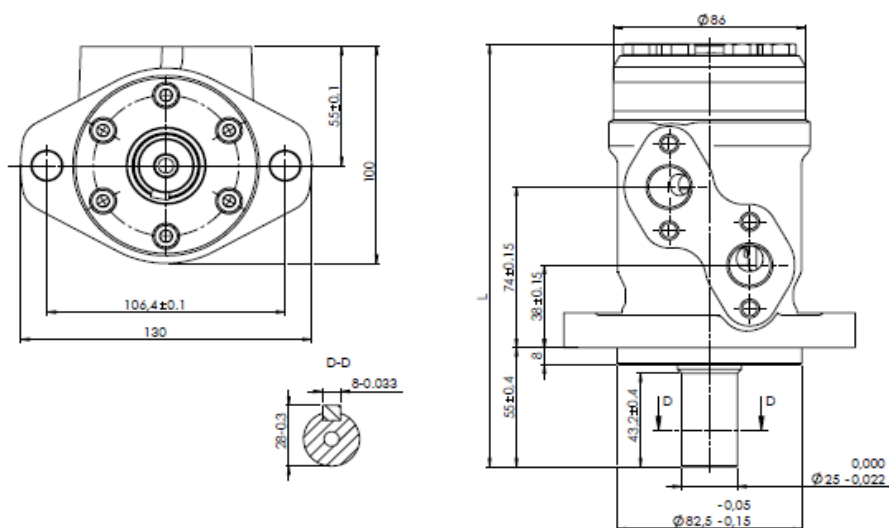
33C36X241H/C36X242H



ORBITÁLIS HIDROMOTOROK



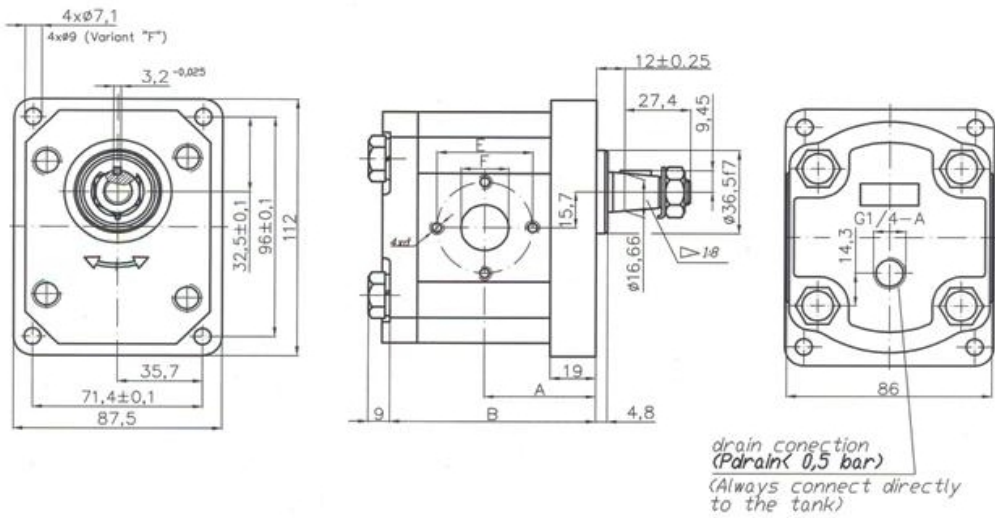
MHL 315



MHL	L (mm)	Max. fordulát	Max. nyomaték	Max. nyomás	Max. átfolyás(l/p)
50	188	1200	9.4	175	60
70	191	800	15	175	60
100	195	600	19.5	175	60
130	199	480	24.4	175	60
160	204	380	31	175	60
200	207	300	37	175	60
250	214	240	48	175	60
315	220	190	49	140	60
400	233	150	50	115	60

FOGASKERES HIDROMOTOROK

20M19X546



30MR36X568

